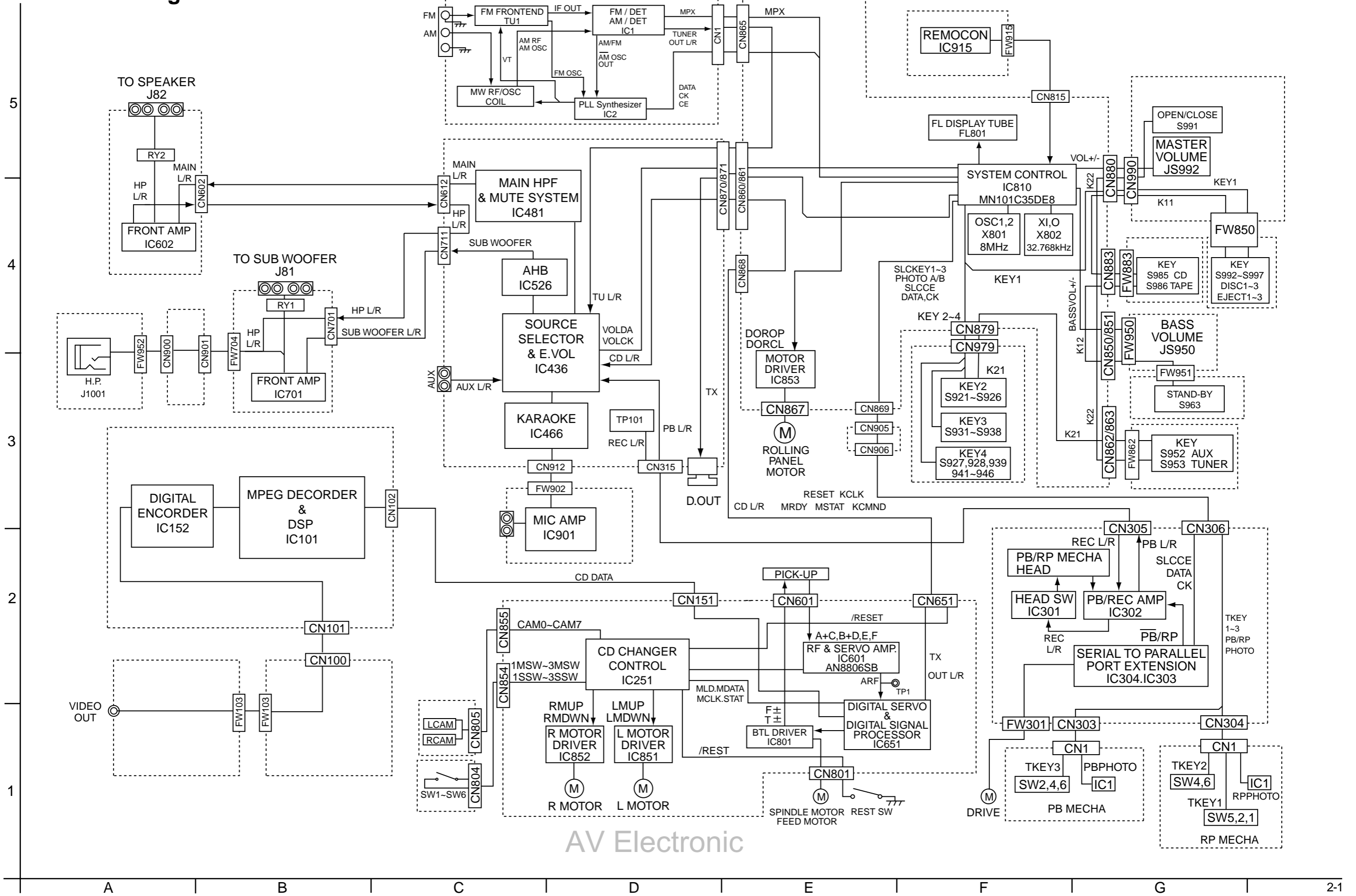


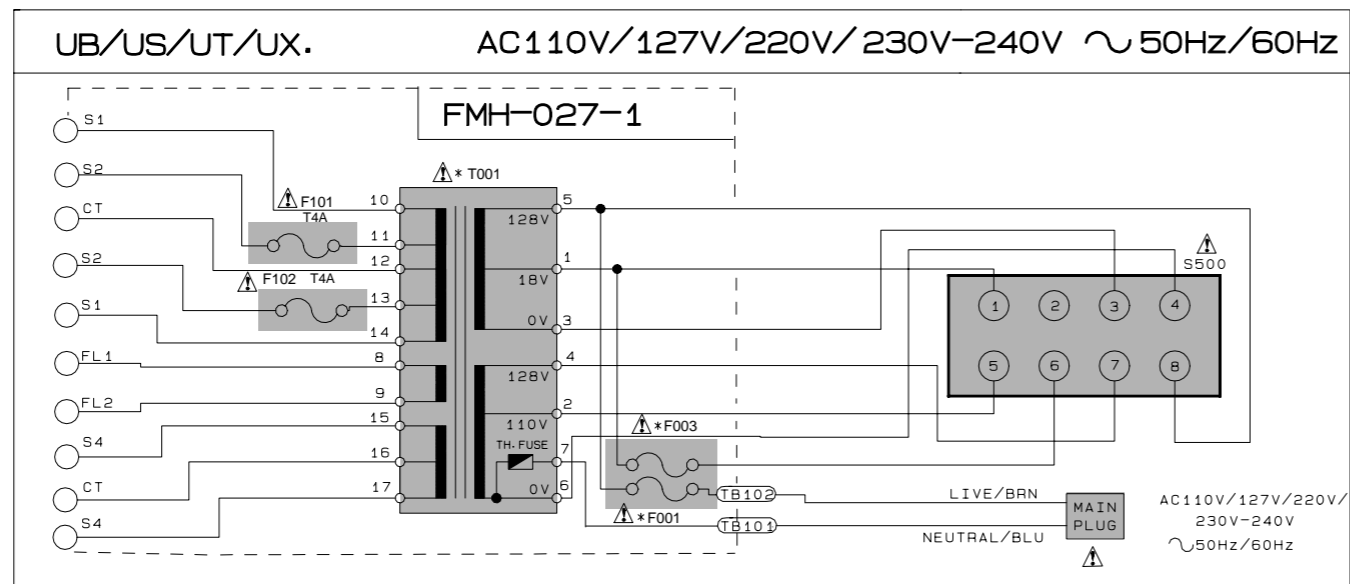
Block diagram



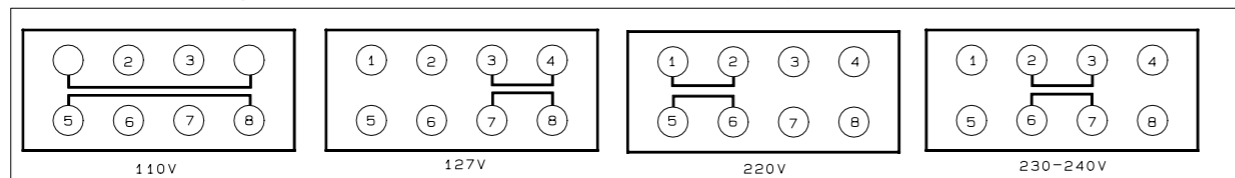
Standard schematic diagrams

■ Power transformer section

POWER SUPPLY BLOCK



VOLTAGE SELECTOR LOCATION



▲ Parts are safety assurance parts. When replacing those parts make sure to use the specified.

VERSION CODES

UB : HONG KONG
 UT : TAIWAN
 UX : SAUDI ARABIA
 US : SINGAPORE AND UNIVERSAL EXCEPT ALL OF ABOVE

EXPLANATION OF OVERALL SCHEMATICS

MODEL CA-MXJ770V/CA-MXJ880V
 CA-MXJ970V/CA-MXJ980V

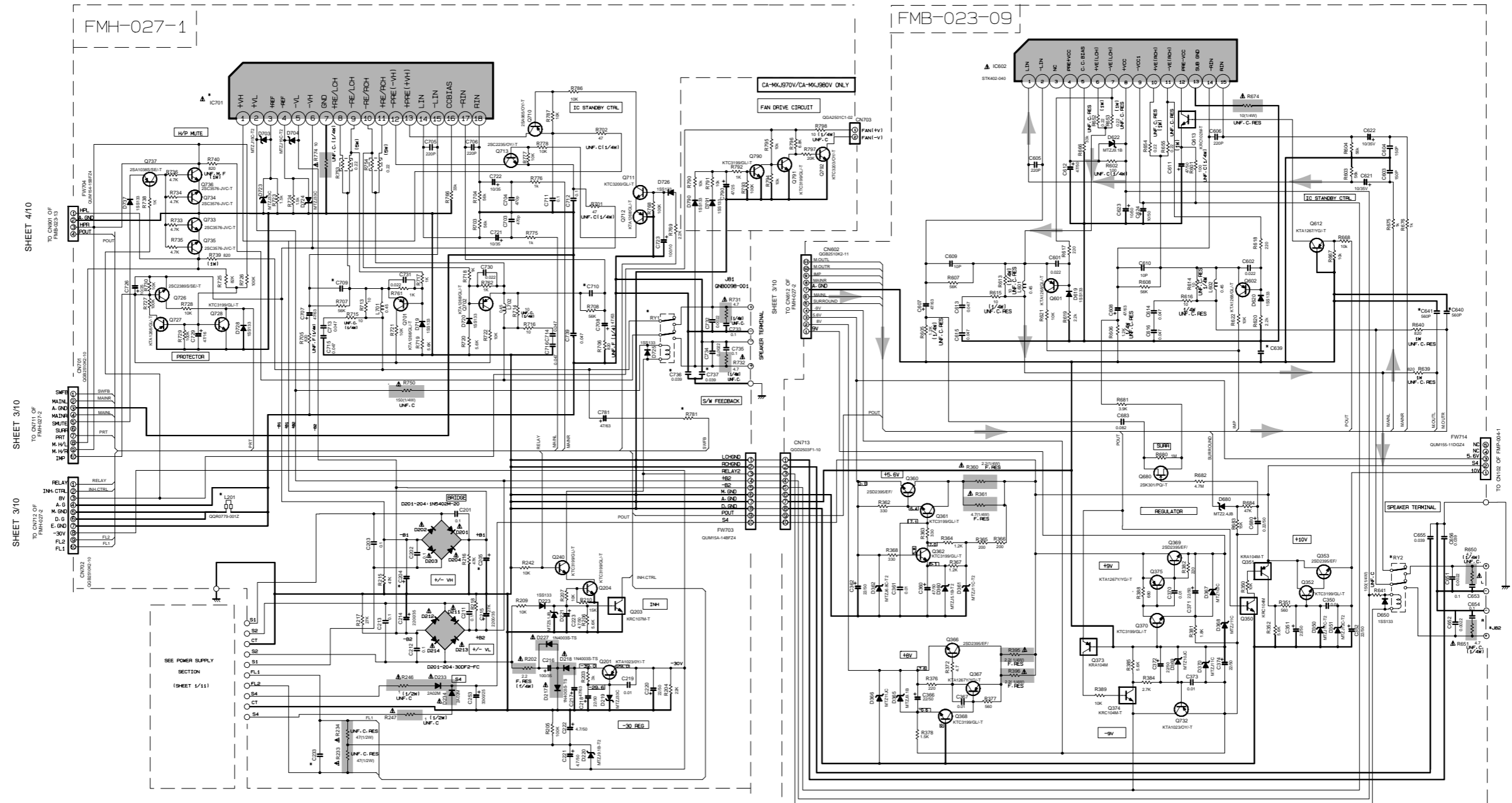
SHEET NUMBER	CIRCUITS DESCRIPTION
1/10	. PRIMARY WITH MAINS TRANSFORMER
2/10	. DC REGULATORS/AUDIO OUTPUT
3/10	. EXTERNAL INPUT, SOURCE SELECTOR SWITCH
4/10	. FL DISPLAY, SYSTEM CONTROL LSI, USER CONTROL KEYS
5/10	. MIC AMP, ECHO CIRCUIT
6/10	. SVCD SERVO AND SVCD SYSTEM CONTROL . SVCD CHANGER MECHANISM CONTROL
7/10	. TAPE DECK MECHANISM CONTROL . TAPE CIRCUITS SUCH AS PRE-AMP AND BIAS
8/10	. TUNER RF/IF/FM MULTIPLEX
9/10	. SVCD REGULATORS
10/10	. SUPER VCD CONTROL CIRCUIT

NOTE: MARK (*) IS TO SHOW DEVIATION IN VERSIONS
 DETAILS ARE EXPLAINED BY MARK.

* MARK

REF NAME/MODEL	CA-MXJ770V/ CA-MXJ880V.	CA-MXJ970V/ CA-MXJ980V.
F001	T3.15A	T4A
F003	T1.6A	T2A
T001	QQT0277-004	QQT0278-004

Power amplifier & regulator section



NOTE: MARK (*) IS TO SHOW DEVIATION IN VERSIONS
DETAILS ARE EXPLAINED BY MARK.

#MARK

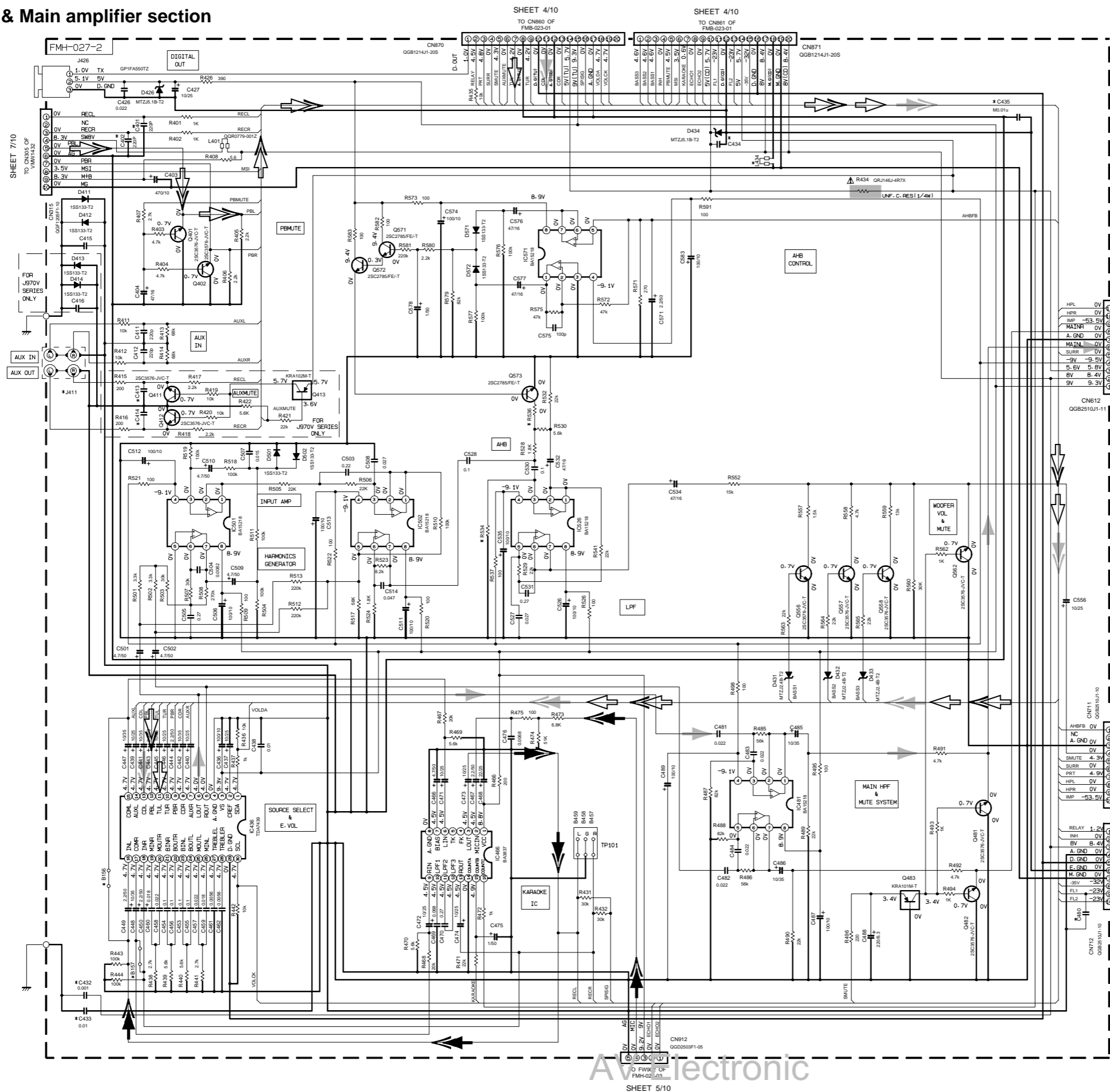
REF. NAME	VERSION	CA-MXJ770V UB. US-UX	CA-MXJ880V US	CA-MXJ880V UF. UT	CA-MXJ970V UB. US-UX	CA-MXJ980V US	CA-MXJ980V UF. UT
L201		SHORT (B112)	SHORT (B112)	USE	SHORT (B112)	SHORT (B112)	USE
IC701		STK412-000	STK412-000	STK412-000	STK412-010	STK412-010	STK412-010
C233		0.22	0.22	0.01	0.22	0.22	0.01
RY1, RY2		QSK0109-001	QSK0109-001	QSK0109-001	QSK0057-001	QSK0057-001	QSK0057-001
C204/C205		4700/50	4700/50	4700/50	4700/63	4700/63	4700/63
C540/C541 C735/C737		NONE	NONE	USED	NONE	NONE	USED
R781		4.7K	4.7K	4.7K	5.6K	5.6K	5.6K
C709/C710		10p	10p	4.7p	10p	10p	4.7p
J82		QNB0097-001	QNB0097-001	QNB0097-002	QNB0097-001	QNB0097-001	QNB0097-002
C639		0.01u	0.01u	0.047u	0.01u	0.01u	0.047u

NOTES
1. VOLTAGES ARE DC-MEASURED WITH A DIGITAL VOLT METER OR OSCILLOSCOPE WITHOUT INPUT SIGNAL.
CONDITION — AUX MODE, VOL. MEN. BASS OFF.
2. UNLESS OTHERWISE SPECIFIED
RESISTORS ARE 1/4W 1% CHINA RESISTOR.
ALL CAPACITORS ARE CERAMIC CAPACITOR OR MYLAR CAPACITOR.
ALL CAPACITANCE VALUES ARE IN pF(PPM).
ALL INDUCTANCE VALUES ARE IN mH(PPM).
ALL ELECTROLYTIC CAPACITORS ARE 50V.
ALL ELECTROLYTIC CAPACITORS ARE 160V.
ALL DIODES ARE 1S8133

▲ Parts are safety assurance parts.
When replacing those parts make
sure to use the specified.

➔ MAIN signal

Function & Main amplifier section



MARK	CA-MXJ770V		CA-MXJ880V		CA-MXJ970V		CA-MXJ980V	
	VERSION	UB- US- UX	UF- UT	US	UB- US- UX	UF- UT	US	US
EMC	C401	NONE	USED	NONE	NONE	USED	NONE	NONE
	C402	NONE	USED	NONE	NONE	USED	NONE	NONE
	C415	1000p	0.0022	1000p	1000p	0.0022	1000p	1000p
	C416	0.0022	0.0022	0.0022	0.0022	0.0022	0.0022	0.0022
	C432	NONE	USED	NONE	NONE	USED	NONE	NONE
	C433	NONE	USED	NONE	NONE	USED	NONE	NONE
L401	SHORT	USED	SHORT	SHORT	USED	SHORT	SHORT	
	L434	SHORT	0.00779-0012	SHORT	SHORT	0.00779-0012	SHORT	
C434, C435	NONE	0.01u	NONE	NONE	0.01u	NONE	NONE	
	C480							
OTHERS	J411	GND117-001		GND132-001				
	R534	180k		220k				
	R536	15k		12k				

NOTE: MARK (*) IS TO SHOW DEVIATION IN VERSIONS
DETAILS ARE EXPLAINED BY MARK.

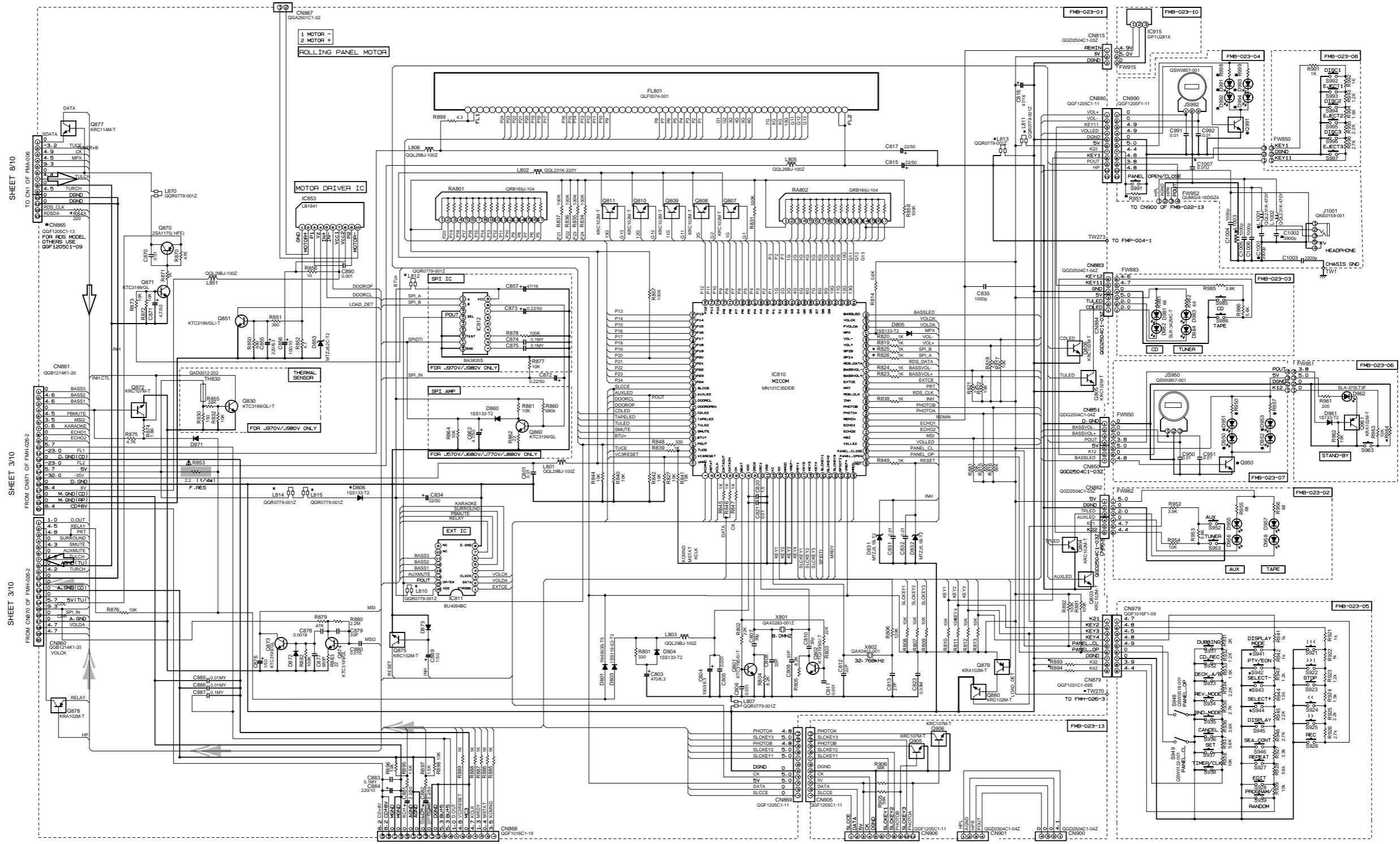
- ➡ CD signal
- ➡ TAPE P.B. signal
- ➡ TUNER signal
- ➡ MAIN signal
- ➡ MIC signal

NOTES

1. VOLTAGES ARE DC-MEASURED WITH A DIGITAL VOLT METER OR OSCILLOSCOPE WITHOUT INPUT SIGNAL. CONDITION — AUX MODE, VOL MIN, SUBWOOFER VOL. 1.
2. UNLESS OTHERWISE SPECIFIED:
RESISTORS ARE 1/4W 1% CARBON RESISTOR.
ALL RESISTANCE VALUES ARE IN OHM (Ω).
ALL CAPACITORS ARE CERAMIC CAPACITOR OR MYLAR CAPACITOR.
ALL CAPACITANCE VALUES ARE IN μF (μF).
ALL INDUCTANCE VALUES ARE IN mH (mH).
ALL S. CAPACITORS ARE SHOWN IN THE FORM OF CAPACITANCE (μF)/RATED VOLTAGE (V).
ALL DIODES ARE 1SS133.

⚠ Parts are safety assurance parts.
When replacing those parts make sure to use the specified.

FL Display & system controller section



* MARK

MARK	MX-J570V	MX-J570V	MX-J680V	MX-J680V	CA-MXJ770V	CA-MXJ680V	CA-MXJ970V	CA-MXJ980V
D906	SHORT	1S5133-T2	SHORT	1S5133-T2	SHORT	SHORT	SHORT	1S5133-T2
R625-R626	NONE	NONE	NONE	NONE	NONE	NONE	NONE	1K
R64	330K	330K	330K	330K	75K	75K	18K	18K
R61	18K	18K	18K	18K	18K	18K	18K	18K
R63	75K (LX*18K)	75K	75K	75K	75K (LX*18K)	75K	75K (LX*18K)	75K
R64	330K (LX*18K)	330K	330K	330K	330K (LX*18K)	330K	330K (LX*18K)	330K
D950-D952 D951-D991	NONE	NONE	NONE	NONE	NONE	NONE	SLA-570JT3F	SLA-570JT3F
D953-D954 D953-D993	NONE	NONE	NONE	NONE	NONE	NONE	SLA-570JT3F	SLA-570JT3F
R650-R657 R698-R699	NONE	NONE	NONE	NONE	NONE	NONE	75	75
D950-D951	NONE	NONE	NONE	NONE	NONE	NONE	KRC-102M-T	KRC-102M-T
TW20-TW23	NONE	USE	NONE	NONE	NONE	USE	NONE	USE
L1001-L1002	SHORT	0.01u	SHORT	0.01u	SHORT	SHORT	SHORT	0.01u
C1001-C1002	NONE	0.001u	NONE	0.001u	NONE	SHORT	SHORT	0.001u
L1003	0.22F RES	0.22F RES	0.22F RES	0.22F RES	0.22F RES	0.22F RES	0.22F RES	0.22F RES
R653	2.2 F. RES	2.2 F. RES	2.2 F. RES	2.2 F. RES	2.2 F. RES	2.2 F. RES	2.2 F. RES	2.2 F. RES
C1004	USE	USE	USE	USE	USE	USE	USE	USE
L810-L811-L812-L813	SHORT	0.01u	SHORT	0.01u	SHORT	SHORT	SHORT	0.01u
L814-L815	SHORT	0.01u	SHORT	0.01u	SHORT	SHORT	SHORT	0.01u
C1007	NONE	0.01u	NONE	0.01u	NONE	NONE	NONE	0.01u

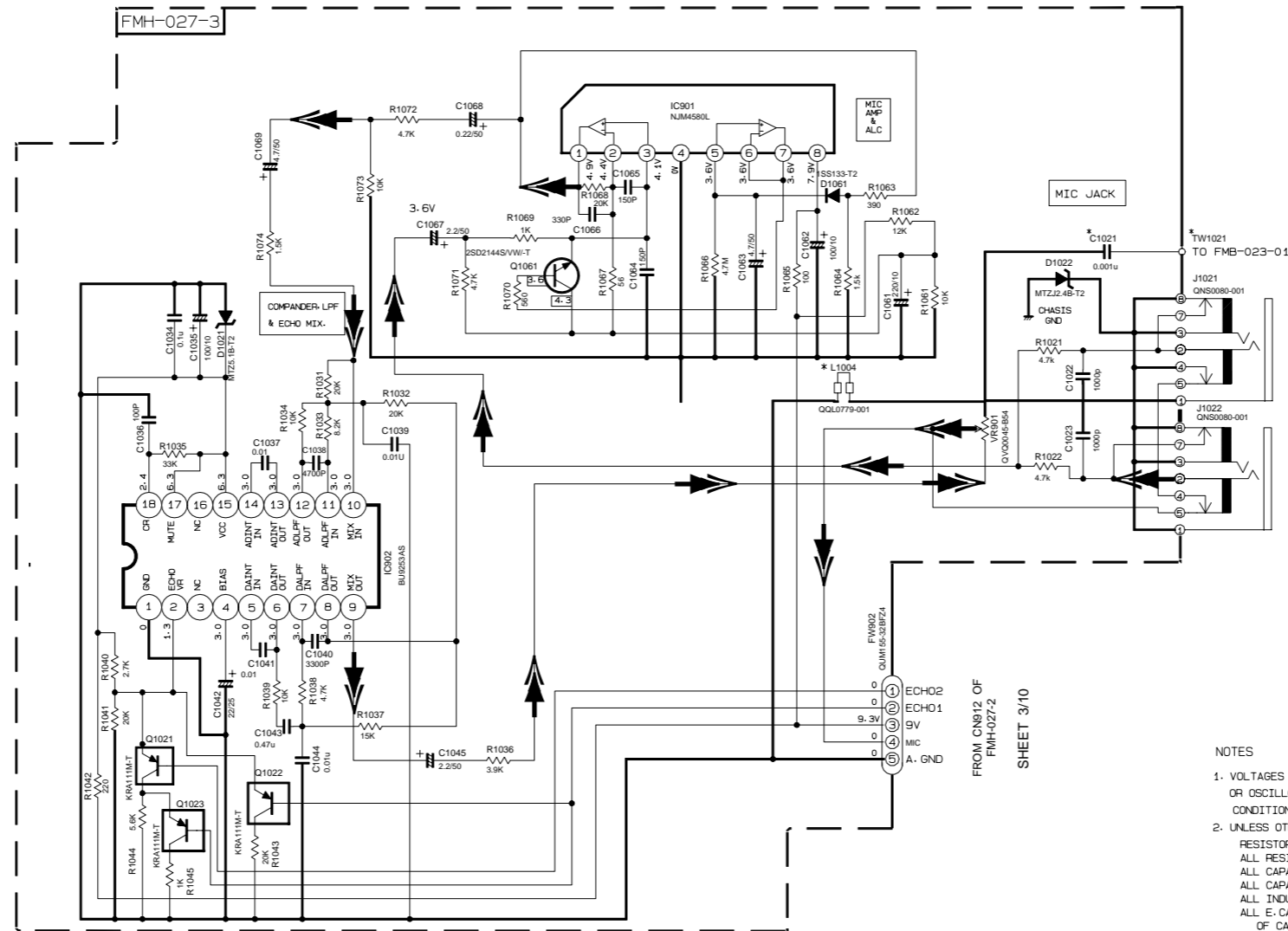
NOTE: MARK (*) IS TO SHOW DEVIATION IN VERSIONS
DETAILS ARE EXPLAINED BY MARK.

NOTES
1. VOLTAGES ARE DC-MEASURED WITH A DIGITAL VOLT METER OR OSCILLOSCOPE WITHOUT INPUT SIGNAL.
CONVENTION: - FOR NEG. VOL. ROW BASE OFF
2. UNLESS OTHERWISE SPECIFIED
RESISTORS ARE 1/4W 5% CARBON RESISTOR.
ALL RESISTANCE VALUES ARE IN OHM(S).
ALL CAPACITANCE VALUES ARE IN PICO(F).
ALL CAPACITANCE VALUES ARE IN MICRO(F).
ALL INDUCTANCE VALUES ARE IN MILLI(H).
ALL CAPACITORS ARE SHOWN IN THE FORM OF CAPACITANCE (P/F)/RATED VOLTAGE (V).
ALL DIMENSIONS ARE IN MILLI(M).

Parts are safety assurance parts.
When replacing those parts make sure to use the specified.

➡ CD signal
⇨ TUNER signal

Microphone amplifier section



* NOTE

	MX-J570V	MX-J680V	CA-MXJ770V	CA-MXJ880V	CA-MXJ970V	CA-MXJ980V
UB·US·UX	UT	US	UF·UT	UB·US·UX	US	UF·UT
L1004	SHORT	USE	SHORT	USE	SHORT	USE
C1021	NONE	USE	NONE	USE	NONE	NONE
TW1021						

- NOTES
- VOLTAGES ARE DC-MEASURED WITH A DIGITAL VOLT METER OR OSCILLOSCOPE WITHOUT INPUT SIGNAL.
CONDITION — AUX MODE, ECHO OFF
 - UNLESS OTHERWISE SPECIFIED
RESISTORS ARE 1/4W ±5% CARBON RESISTOR.
ALL RESISTANCE VALUES ARE IN OHM(Ω).
ALL CAPACITORS ARE CERAMIC CAPACITOR OR MYLAR CAPACITOR.
ALL CAPACITANCE VALUES ARE IN #F(P=PF).
ALL INDUCTANCE VALUES ARE IN #H(M=MH).
ALL E. CAPACITORS ARE SHOWN IN THE FORM OF CAPACITANCE (#F)/RATED VOLTAGE (V).
ALL DIODES ARE 1SS133

➡ MIC signal

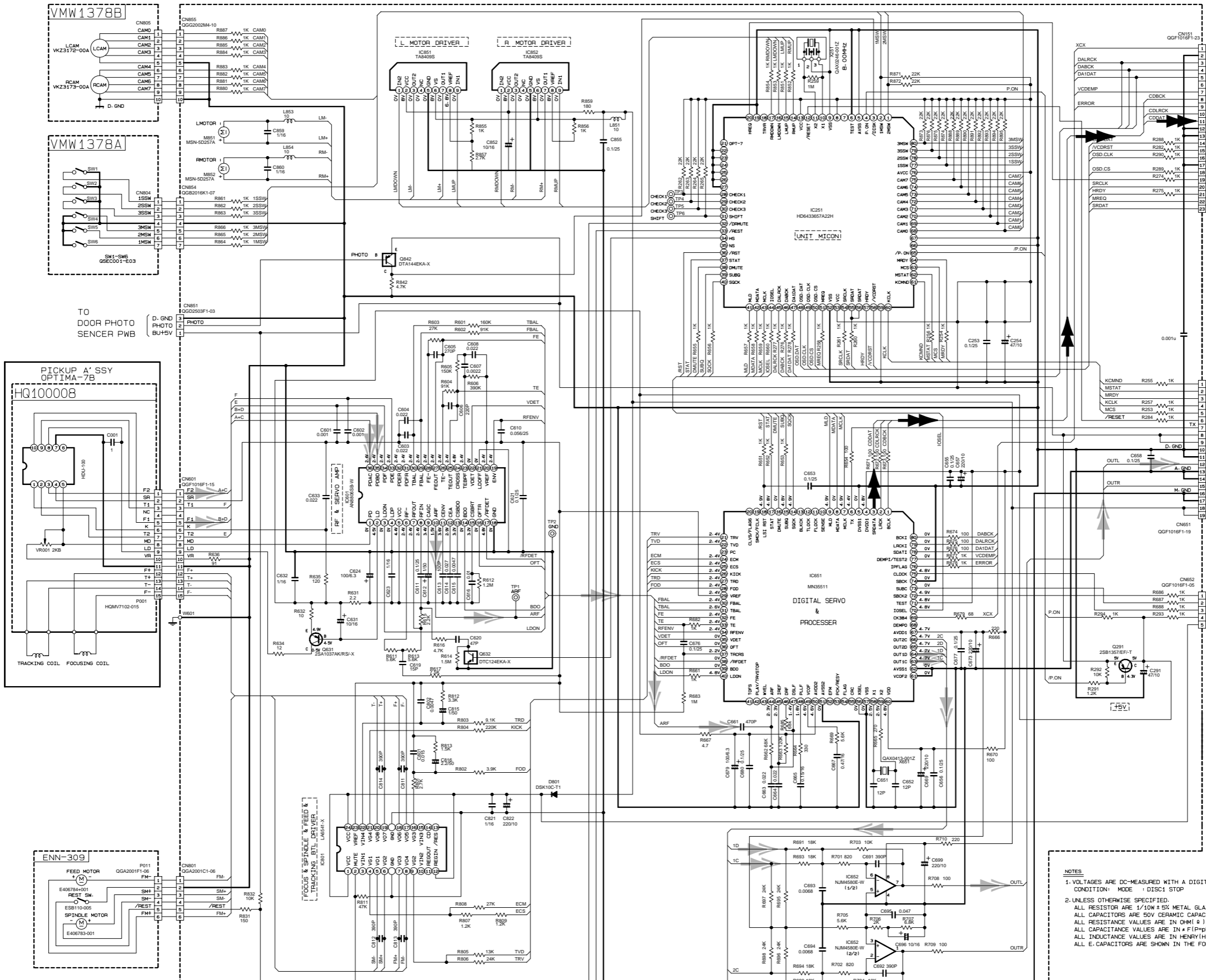
FROM CN812 OF FMH-027-2 SHEET 3/10

5
4
3
2
1

A B C D E F G H

CD Servo & CD Mechanism control section

5
4
3
2
1



TO CN102 OF VMW1496 SHEET 10/10

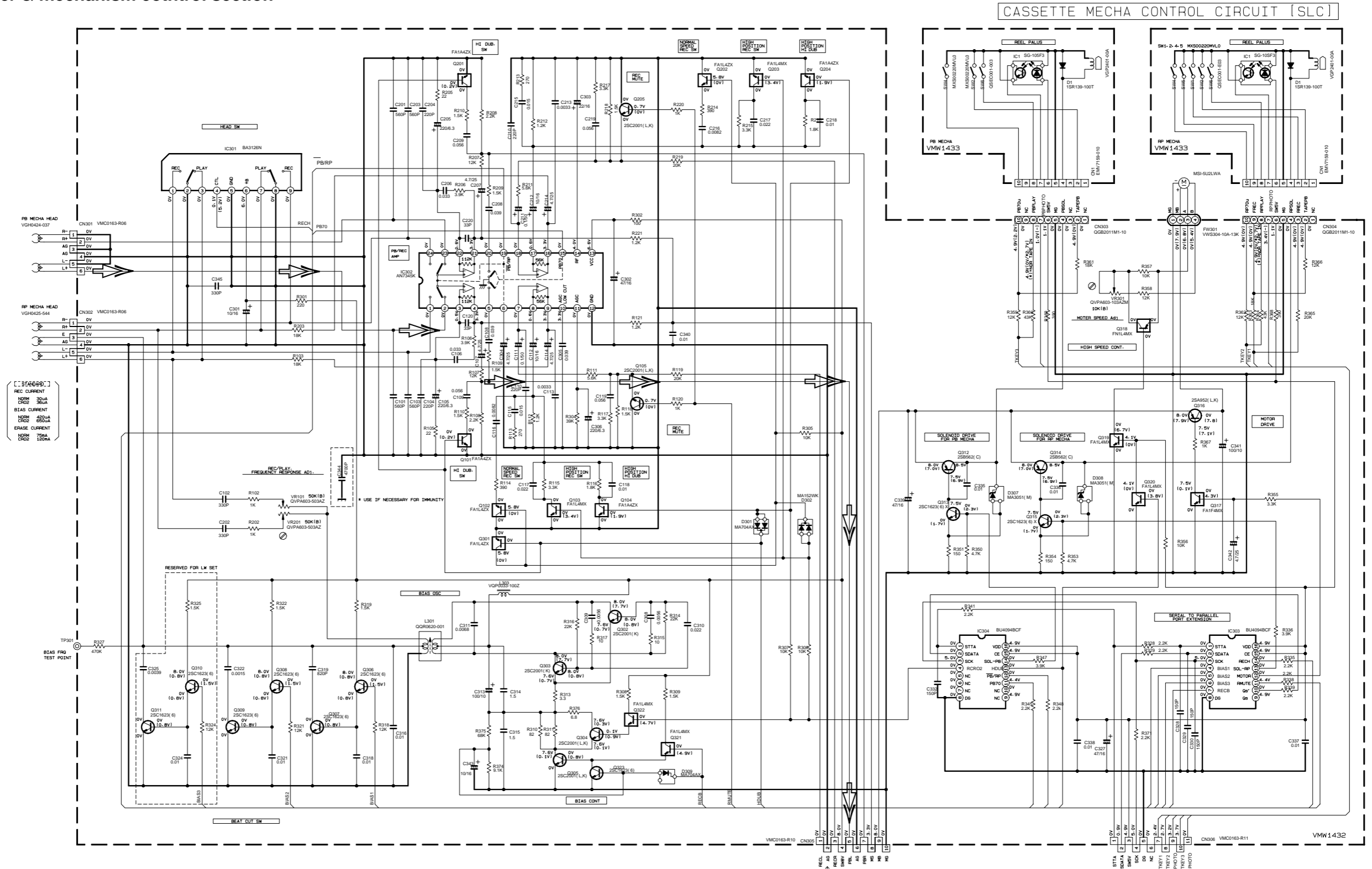
TO CN868 OF FMB-022-01 SHEET 4/10

TO CN101 OF FMP-004-1 SHEET 9/10

➡ CD signal
 ➡ VIDEO signal

- NOTES**
1. VOLTAGES ARE DC-MEASURED WITH A DIGITAL VOLT METER
CONDITION: MODE : DISC1 STOP
 2. UNLESS OTHERWISE SPECIFIED:
ALL RESISTOR ARE 1/10W ± 5% METAL GLAZE RESISTOR.
ALL CAPACITORS ARE 50V CERAMIC CAPACITOR OR 50V MYLAR CAPA.
ALL RESISTANCE VALUES ARE IN OHM (Ω).
ALL CAPACITANCE VALUES ARE IN PICO (pF).
ALL INDUCTANCE VALUES ARE IN HENRY (H).
ALL E-CAPACITORS ARE SHOWN IN THE FORM OF CAPACITANCE (≠ F) / RATED VOLTAGE (V).

Head amplifier & mechanism control section



- [STANDARD]
- REC CURRENT 300A
- CHD 360A
- BIAS CURRENT 450A
- CHD 650A
- ERASE CURRENT 750A
- CHD 1500A

NOTES

1. VOLTAGES ARE DC-MEASURED WITH A DIGITAL VOLT METER OR OSCILLOSCOPE WITHOUT INPUT SIGNAL. () IS INVERT MODE
2. UNLESS OTHERWISE SPECIFIED
- ALL RESISTANCE VALUES ARE IN OHMS (Ω).
- ALL CAPACITORS ARE CERAMIC CAPACITOR.
- ALL CAPACITANCE VALUES ARE IN pF (pF).
- ALL INDUCTANCE VALUES ARE IN μH (μH).
- ALL E-CAPACITORS ARE SHOWN IN THE FORM OF CAPACITANCE (μF)/RATED VOLTAGE (V).
- PP PLYPROPYLENE CAPACITOR

TABLE 1. DIGITAL TR LIST

PART. NO	CONSTRUCTION	REF. NO	PART. NO	CONSTRUCTION	REF. NO
FN14M		Q318	FA14M		Q317
FA14Z		Q101/Q201	FA14M		Q103/Q203
FA14Z		Q104/Q204			Q319
FA14Z		Q102/Q202			Q300/Q301/Q302
		Q301			

FROM PRE-AMP CIRCUIT
FROM CN315 OF FMH-026-2
SHEET 3/10

FROM MICON CIRCUIT
FROM CN906 OF FMH-022-13
SHEET 4/10

➡ TAPE P.B. signal

5
4
3
2
1

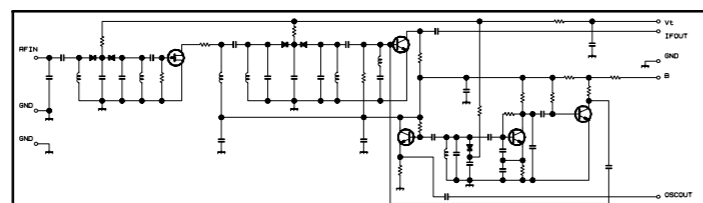
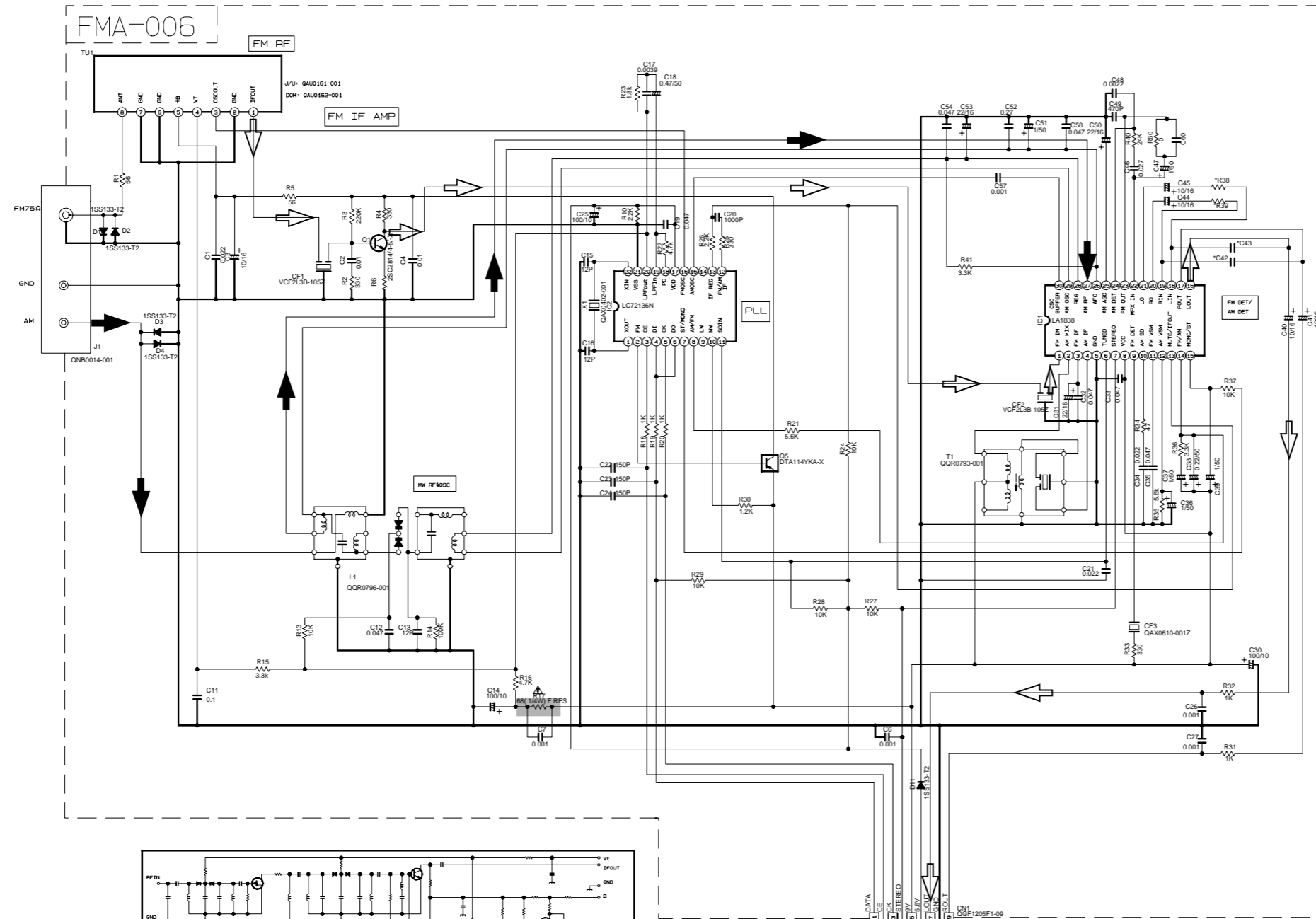
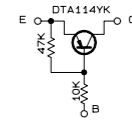
A B C D E F G H

■ Tuner section

NOTES

1. VOLTAGES ARE DC-MEASURED WITH A DIGITAL VOLT METER.
2. ALL RESISTORS ARE 1/8W ±5% METAL GLAZE RESISTOR.
3. ALL RESISTANCE VALUES ARE IN OHM(Ω).
4. ALL CAPASITORS VALUES ARE IN *F(P=pF).
5. ALL E. CAPASITORS ARE SHOWN IN THE FORM OF CAPASITANCE (±F)/RATED VOLTAGE (V).
6. SI DIODES (▷) ARE ALL 1SS133-T THAT CAN BE CHANGED TO SIMILAR DIODE SUCH AS MA165 OR HSS104J.
7. PARTS NO. OF TRANSISTORS ARE AS FOLLOWS.
Q1 2SC2814/4-5/-X Q2-Q3 2SC2412K/R/-X
Q4-Q5 DTA114YK-A-X

B. INSIDE OF DIGITAL TRANSISTORS ARE SHOWN AS FOLLOWS:



	VERSION		
	J/C	User's	SHI UX MODEL
R38	563	563	563
R39	563	563	563
C42	0.0022	0.0015	0.0015
C43	0.0022	0.0015	0.0015
R4	331	331	221
R5	560	560	270
R6	240	240	270

FROM CN865 OF FME-023-01
SHEET 4/10

CONDITION	PIN NO.	1	2	3	4	5	6	7	8	9	10	11	12	13	14	15	16	17	18	19	20	21	22	23	24	25	26	27	28	29	30
IC1 FM NO SIGNAL		3.6	8.9	3.6	3.6	0	5.0	5.0	8.9	8.9	1.3	0.1	0	0.9	7.8	7.8	4.3	4.3	4.3	4.3	3.4	3.4	2.8	3.4	0	0	3.5	3.5	3.6	3.6	2.7
IC1 FM 60dB STEREO		3.6	8.9	3.6	3.6	0	5.0	5.0	8.9	8.9	1.3	4.3	0	0.9	7.8	7.8	4.3	4.3	4.3	4.3	3.4	3.4	2.8	3.4	0	0	3.6	3.6	3.6	3.6	2.7
AM NO SIGNAL		3.5	9.0	3.5	3.5	0	5.0	5.1	9.0	2.6	1.3	0	0	0.9	4.7	5.5	4.3	4.3	4.3	3.3	3.3	3.2	2.8	ust	0.7	0.7	3.6	3.6	3.6	3.6	2.1
IC2 FM NO SIGNAL		2.5	0	0	5.0	4.9	5.0	7.9	7.8	3.6	6.1	5.1	0	0	0	2.5	5.1	0.9	0.9	3.3	3.3	0	2.3								

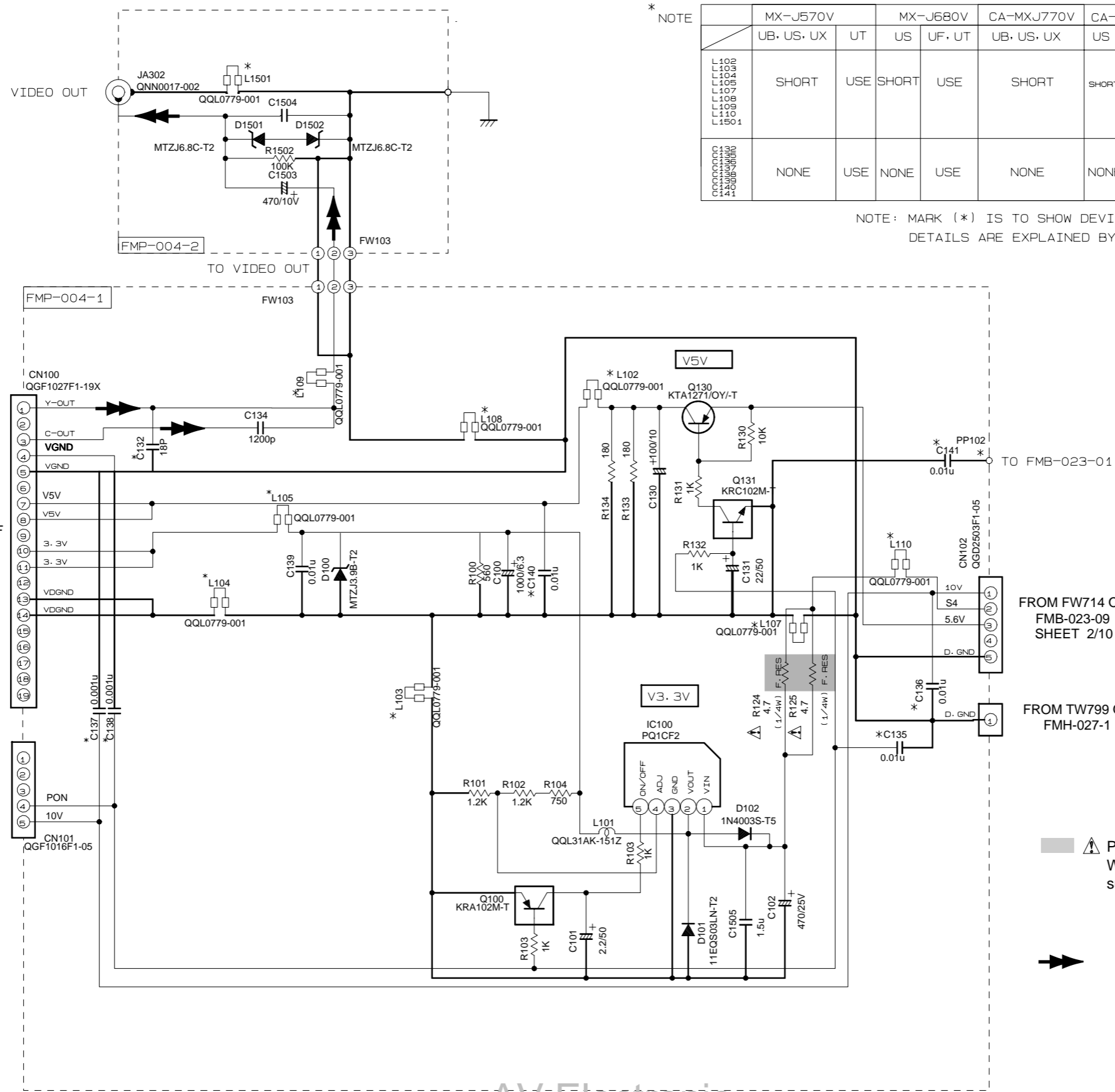
Tr. NO.	Q1				Q5				
PIN NO.	E	C	B	E	C	B	E	C	B
FM 87.5MHz NO SIGNAL	0	7.1	0.85	8.9	8.8	0			
AM 52KHz NO SIGNAL	0	0	0	9.0	0	8.9			

Tr. NO.	Q2				Q3				Q4			
PIN NO.	E	C	B	E	C	B	E	C	B	E	C	B
AM 52KHz NO SIGNAL	0	0	0.7	0	0	0.7	0	3.6	0.7	0	3.6	0.7
AM 144KHz NO SIGNAL	0	0	0.3	0	0.3	0.3	3.6	3.6	3.6	3.6	3.6	3.6

⚠ Parts are safety assurance parts. When replacing those parts make sure to use the specified.

▷ FM / TUNER signal
➡ AM signal

Video CD regulator section



* NOTE

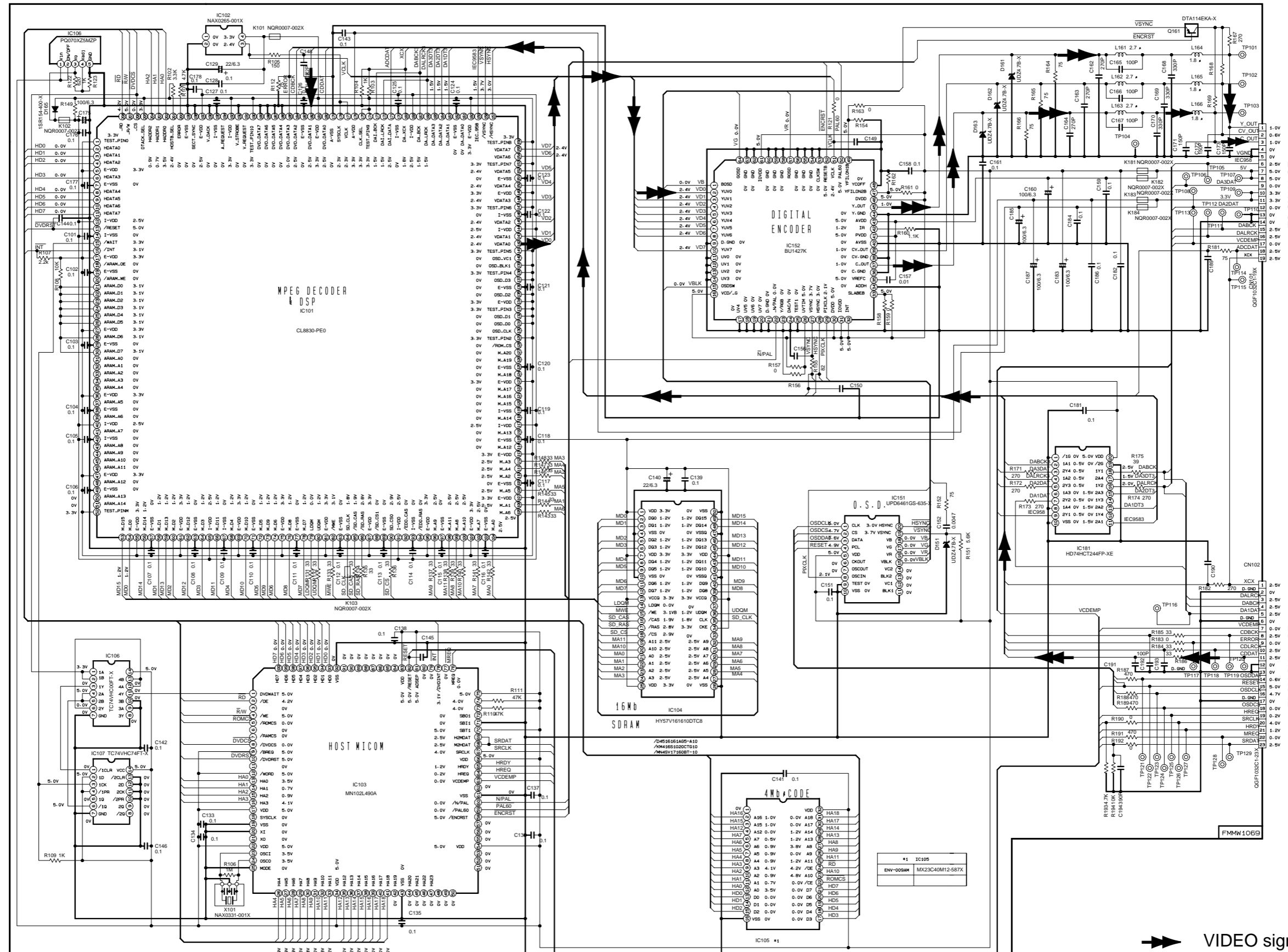
	MX-J570V	MX-J680V	CA-MXJ770V	CA-MXJ880V	CA-MXJ970V	CA-MXJ980V	
	UB, US, UX	UT	US	UF, UT	UB, US, UX	US	UF, UT
L1102							
L1103							
L1104							
L1105							
L1106							
L1107							
L1108							
L1109							
L1110							
L11501							
C11501							
C11502							
C11503							
C11504							
C11505							
C11506							
C11507							
C11508							
C11509							
C11510							
C11511							
C11512							
C11513							
C11514							
C11515							
C11516							
C11517							
C11518							
C11519							
C11520							
C11521							
C11522							
C11523							
C11524							
C11525							
C11526							
C11527							
C11528							
C11529							
C11530							
C11531							
C11532							
C11533							
C11534							
C11535							
C11536							
C11537							
C11538							
C11539							
C11540							
C11541							
C11542							
C11543							
C11544							
C11545							
C11546							
C11547							
C11548							
C11549							
C11550							
C11551							
C11552							
C11553							
C11554							
C11555							
C11556							
C11557							
C11558							
C11559							
C11560							
C11561							
C11562							
C11563							
C11564							
C11565							
C11566							
C11567							
C11568							
C11569							
C11570							
C11571							
C11572							
C11573							
C11574							
C11575							
C11576							
C11577							
C11578							
C11579							
C11580							
C11581							
C11582							
C11583							
C11584							
C11585							
C11586							
C11587							
C11588							
C11589							
C11590							
C11591							
C11592							
C11593							
C11594							
C11595							
C11596							
C11597							
C11598							
C11599							
C11600							

NOTE: MARK (*) IS TO SHOW DEVIATION IN VERSIONS
DETAILS ARE EXPLAINED BY MARK.

Parts are safety assurance parts.
When replacing those parts make
sure to use the specified.

VIDEO signal

Super Video CD control section



VIDEO signal

TO CN100 OF FMP-004-1 SHEET 9/10

FROM CN151 OF VMW1493 SHEET 6/10